

STRUCTURE Silicon Monolithic Integrated Circuit

TYPE **BA829**

PRODUCT SERIES 8Bits Serial-In Parallel-Out Driver

- FUNCTION
- 1) Can drive up to 300 mA.
 - 2) Controlling the strobe terminal with the drive timing pulse enables current to be reduced when drive is not being carried out.
 - 3) Using the data output terminal for the next data input enables secondary connections.
 - 4) The digital ground and power ground are separated.
 - 5) A latch is included between the shift register and driver output.
 - 6) A stand-by function is built in. (10 μ A typ. at stand-by)

● ABSOLUTE MAXIMUM RATINGS (Ta=25°C)

PARAMETERS	SYMBOL	LIMIT	UNIT
Power supply voltage	V _{CC}	7.0	V
Power Dissipation	P _d	1100	mW
Operating Temperature	T _{OPr}	-25~+70	°C
Storage Temperature	T _{stg}	-55~+125	°C
Input Voltage	V _{in}	-0.3~V _{CC}	V
Output Voltage	V _o	15	V

● RECOMMENDED OPERATING CONDITIONS (TOPr=-25~70°C)

PARAMETERS	SYMBOL	MIN	TYP	MAX	UNIT
Supply Voltage	V _{CC}	4.5	5.0	5.5	V
Clock rate	f _{CLK}	-	-	500	kHz
GND Voltage ※	V _G	-	-	0.2	V

※Please short-circuit around the point as much as possible. But please use L-GND in the area where electric potential difference between the P-GND pin won't more than 0.2V range.

·Status of this document

The Japanese version of this document is the formal specification. A customer may use this translation version only for a reference to help reading the formal version. If there are any difference in translation version of this document, formal version takes priority.

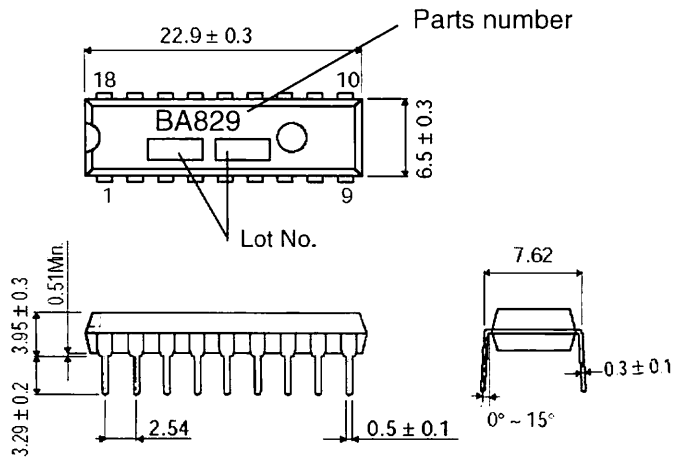
●ELECTRICAL CHARACTERISTICS (Ta=25°C,Vcc=5.0V,unless otherwise specified)

PARAMETERS	SYMBOL	LIMIT			UNIT	CONDITIONS
		MIN	TYP	MAX		
Supply Current (1)	I _{CC1}	-	10	20	μA	PSW“L”
Supply Current (2)	I _{CC2}	-	110	158	mA	PSW“H”,STB“H”
Supply Current (3)	I _{CC3}	-	14	20	mA	PSW“H”,STB“L”
Output on voltage	V _{O ON}	-	0.4	0.6	V	I _{O ON} =300mA(※note1)
Off State Output Current	I _{O OFF}	-	10	50	μA	V _O =13.5V
Clock rate	f _{CLK}	500	-	-	kHz	-
Input Voltage“High”	V _{IH}	2.6	-	-	V	-
Input Voltage“Low”	V _{IL}	-	-	0.8	V	-
Input Current“High”	I _{IH1}	-	0.1	10	μA	V _I =3.4V CLK,LATCH DATA,STB terminal
Input Current “Low”	I _{IL1}	-	-0.01	-0.1	mA	V _I =0.4V CLK,LATCH DATA,STB terminal
Data Output “High”	V _{DOH}	2.8	3.0	-	V	I _{DOH} =-400 μA
Data Output “Low”	V _{DOL}	-	0.3	0.4	V	I _{DOL} =1.6mA
Data Output delay time	t _{D LH}	-	0.6	1.0	μs	R _{LD} =10K Ω
Data Output delay time	t _{D HL}	-	0.6	1.5	μs	R _{LD} =10K Ω
Output delay Time	t _{OLH}	-	-	10	μs	R _L =560 Ω,V _O =13.5V
Output delay Time	t _{OHL}	-	-	10	μs	R _L =560 Ω,V _O =13.5V
Input current at “H”level	I _{IH2}	-	0.04	0.1	mA	V _I =3.4V,for PSW terminal
Input current at “L”level	I _{IL2}	-	0.1	10	μA	V _I =0.4V,for PSW terminal

(※note1) Case for one bit “on”.

It is not judged whether strategic material (or labor) corresponds, and confirm providing in Foreign Exchange and Foreign Trade Control Low this item, please when you export.
Radiation hardness is not designed.

●PACKAGE OUTLINES

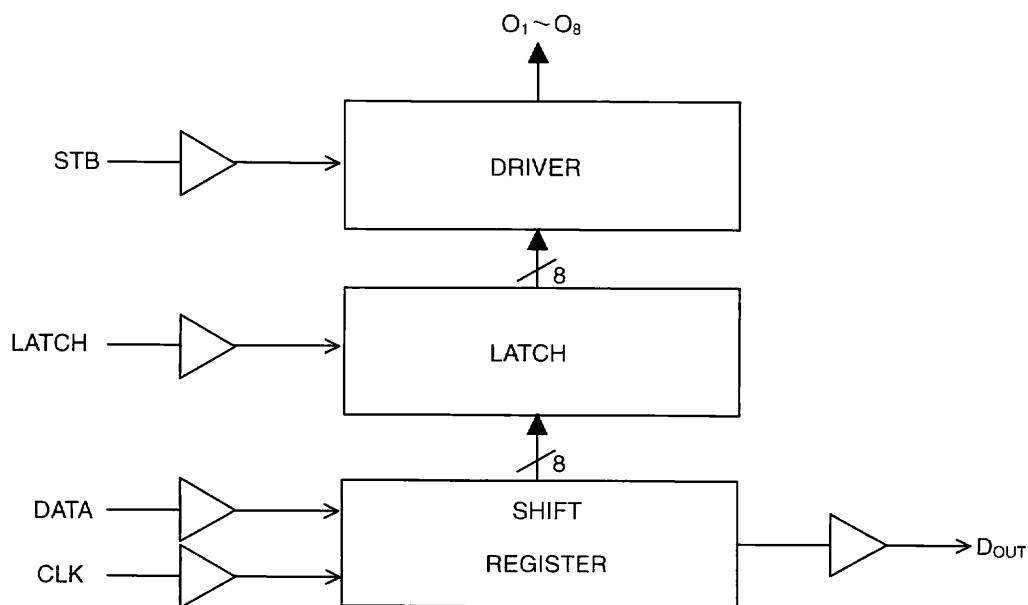


DIP18 (UNIT:mm)

●PIN DESCRIPTION

Pin.No	Terminal name	Input-output	Function
1	CLK	I	Clock Input
2	PSW	I	Power Switch
3	D _{OUT}	O	Cascade Output
4	V _{CC}	-	Power Supply Terminal
5	PGND	-	GND Terminal
6	O ₈	O	Parallel Data Output
7	O ₇	O	
8	O ₆	O	
9	O ₅	O	
10	O ₄	O	
11	O ₃	O	
12	O ₂	O	
13	O ₁	O	
14	PGND	-	GND Terminal
15	LGND	-	GND Terminal
16	DATA	I	Serial Data Input
17	STB	I	Strobe signal Input L Active
18	LATCH	I	Latch

●BLOCK DIAGRAM



● CAUTIONS ON USE

1) Absolute Maximum Ratings

An excess in the absolute maximum ratings, such as supply voltage, temperature range of operating conditions, etc., can break down devices, thus making impossible to identify breaking mode such as a short circuit or an open circuit. If any special mode exceeding the absolute maximum ratings is assumed, consideration should be given to take physical safety measures including the use of fuses, etc.

2) GND voltage

Make setting of the potential of the GND terminal so that it will be maintained at the minimum in any operating state.

3) Thermal design

Perform thermal design in which there are adequate margins by taking into account the permissible dissipation (Pd) in actual states of use.

4) Operation in strong electromagnetic field

Be noted that using ICs in the strong electromagnetic field can malfunction them.

5) Ground wiring pattern

If small-signal GND and large-current GND are provided, It will be recommended to separate the large-current GND pattern from the small-signal GND pattern and establish a single ground at the reference point of the set PCB so that resistance to the wiring pattern and voltage fluctuations due to a large current will cause no fluctuations in voltages of the small-signal GND. Pay attention not to cause fluctuations in the GND wiring pattern of external parts as well.

Notes

- No technical content pages of this document may be reproduced in any form or transmitted by any means without prior permission of ROHM CO.,LTD.
- The contents described herein are subject to change without notice. The specifications for the product described in this document are for reference only. Upon actual use, therefore, please request that specifications to be separately delivered.
- Application circuit diagrams and circuit constants contained herein are shown as examples of standard use and operation. Please pay careful attention to the peripheral conditions when designing circuits and deciding upon circuit constants in the set.
- Any data, including, but not limited to application circuit diagrams information, described herein are intended only as illustrations of such devices and not as the specifications for such devices. ROHM CO.,LTD. disclaims any warranty that any use of such devices shall be free from infringement of any third party's intellectual property rights or other proprietary rights, and further, assumes no liability of whatsoever nature in the event of any such infringement, or arising from or connected with or related to the use of such devices.
- Upon the sale of any such devices, other than for buyer's right to use such devices itself, resell or otherwise dispose of the same, no express or implied right or license to practice or commercially exploit any intellectual property rights or other proprietary rights owned or controlled by
- ROHM CO., LTD. is granted to any such buyer.
- Products listed in this document are no antiradiation design.

The products listed in this document are designed to be used with ordinary electronic equipment or devices (such as audio visual equipment, office-automation equipment, communications devices, electrical appliances and electronic toys).

Should you intend to use these products with equipment or devices which require an extremely high level of reliability and the malfunction of which would directly endanger human life (such as medical instruments, transportation equipment, aerospace machinery, nuclear-reactor controllers, fuel controllers and other safety devices), please be sure to consult with our sales representative in advance.

About Export Control Order in Japan

Products described herein are the objects of controlled goods in Annex 1 (Item 16) of Export Trade Control Order in Japan.

In case of export from Japan, please confirm if it applies to "objective" criteria or an "informed" (by MITI clause) on the basis of "catch all controls for Non-Proliferation of Weapons of Mass Destruction.

Thank you for your accessing to ROHM product informations.
More detail product informations and catalogs are available,
please contact your nearest sales office.

Please contact our sales offices for details ;

U.S.A / San Diego	TEL : +1(858)625-3630	FAX : +1(858)625-3670
Atlanta	TEL : +1(770)754-5972	FAX : +1(770)754-0691
Dallas	TEL : +1(972)312-8818	FAX : +1(972)312-0330
Germany / Dusseldorf	TEL : +49(2154)9210	FAX : +49(2154)921400
United Kingdom / London	TEL : +44(1)908-282-666	FAX : +44(1)908-282-528
France / Paris	TEL : +33(0)1 56 97 30 60	FAX : +33(0) 1 56 97 30 80
China / Hong Kong	TEL : +852(2)740-6262	FAX : +852(2)375-8971
Shanghai	TEL : +86(21)6279-2727	FAX : +86(21)6247-2066
Dilian	TEL : +86(411)8230-8549	FAX : +86(411)8230-8537
Beijing	TEL : +86(10)8525-2483	FAX : +86(10)8525-2489
Taiwan / Taipei	TEL : +866(2)2500-6956	FAX : +866(2)2503-2869
Korea / Seoul	TEL : +82(2)8182-700	FAX : +82(2)8182-715
Singapore	TEL : +65-6332-2322	FAX : +65-6332-5662
Malaysia / Kuala Lumpur	TEL : +60(3)7958-8355	FAX : +60(3)7958-8377
Philippines / Manila	TEL : +63(2)807-6872	FAX : +63(2)809-1422
Thailand / Bangkok	TEL : +66(2)254-4890	FAX : +66(2)256-6334

Japan /
(Internal Sales)

Tokyo	2-1-1, Yaesu, Chuo-ku, Tokyo 104-0082	TEL : +81(3)5203-0321	FAX : +81(3)5203-0300
Yokohama	2-4-8, Shin Yokohama, Kohoku-ku, Yokohama, Kanagawa 222-8575	TEL : +81(45)476-2131	FAX : +81(45)476-2128
Nagoya	Dainagayo Building 9F 3-28-12, Meieki, Nakamura-ku, Nagoya, Aichi 450-0002	TEL : +81(52)581-8521	FAX : +81(52)561-2173
Kyoto	579-32 Higashi Shiokouji-cho, Karasuma Nishi-iru, Shiokoujidori, Shimogyo-ku, Kyoto 600-8216	TEL : +81(75)311-2121	FAX : +81(75)314-6559

(Contact address for overseas customers in Japan)

Yokohama	TEL : +81(45)476-9270	FAX : +81(045)476-9271
----------	-----------------------	------------------------